

SOCKET ADAPTER
715-0095-001

10-715-0095-001 REV A

OCT 81

Copyright © Data I/O Corporation, 1981. All rights reserved.

Data I/O has made every attempt to ensure that the information in this document is accurate and complete. However, Data I/O assumes no liability for errors, or for any damages that result from use of this document or the equipment which it accompanies. Data I/O reserves the right to make changes to this document without notice at any time.

SOCKET ADAPTER

715-0095-001

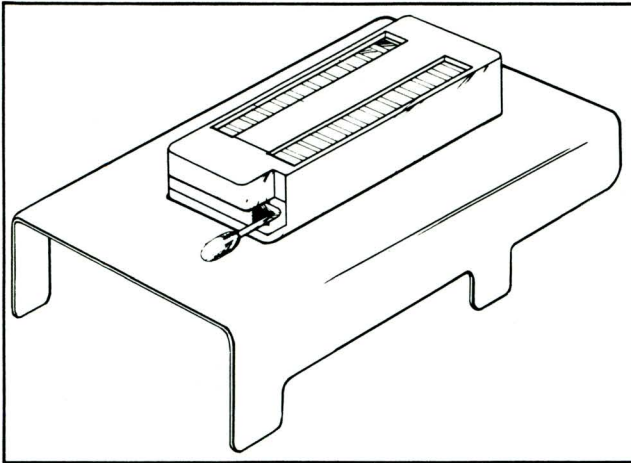


Figure 1. Socket Adapter 715-0095-001

The 715-0095-001 Socket Adapter consists of a zero-insertion-force socket with interface circuitry mounted in a metal frame. The Socket Adapter is used to program 40-pin microcomputer-with-EPROM devices on the Data I/O Model 20B programmer. A list of the specific devices which the Socket Adapter can program is provided in Table 1.

The Socket Adapter matches the programming electronics in the Model 20B to the device's pinout, word width and word limit requirements.

In use the Socket Adapter is installed in a socket receptacle on the 20B's front panel. The device to be programmed or read is inserted in the socket (with device pin 1 on the left) and locked into place with the locking arm on the socket.

This Socket Adapter can program the devices listed in Table 1 only in the remote control mode. Consult the 20B Instruction Manual for further information.

CAUTION

Do not switch programmer power on or off when a device is installed in the Socket Adapter because voltage transients may cause inaccurate programming or may damage a PROM. Do not change devices during a programming operation.

STORAGE AND MAINTENANCE

Store the Socket Adapter in a location free of dust, excessive moisture, and extremes of temperature and humidity. Be careful to protect the top and bottom connectors from physical damage.

Periodically inspect each socket adapter for accumulated dirt and debris. Also inspect each contact for smooth opening and closing operation. Dirt and debris can usually be removed with compressed air or a toothpick.

The socket itself is constructed of a polysulfone material and should be cleaned only with methyl alcohol, freon TE, or detergent and water. Do not lubricate.

Socket failure may be caused by mechanical damage to the socket. If the damage restricts positive opening and closing, replace the unit.

CIRCUIT DESCRIPTION

The 715-0095-001 Socket Adapter circuitry produces a shift in voltage levels and adapts the programming electronics to the required pinout of the device. The signals originate from the Program Control Board (702-0065).

An adjustable +5 volt supply, which provides the necessary voltage supply to the microcomputer's V_{DD} pin, is made up of shunt regulator VR1 and pot R1. Coil L1 and capacitors C2 and C3 form the timing circuit for the oscillator located on the device which is being programmed. Inverters U1 and transistors Q1 and Q3 switch and couple the input signals from P103 and P104 to the device socket pins at U2.

A schematic representation of the Socket Adapter circuit board follows.

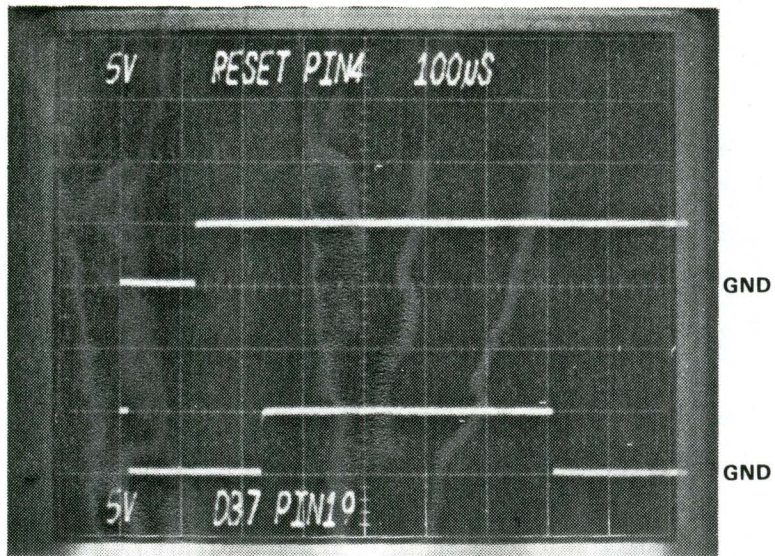
CALIBRATION

This section provides the critical voltage and timing specifications for the devices that are listed in Table 1. This information is in compliance with the device manufacturer's specifications.

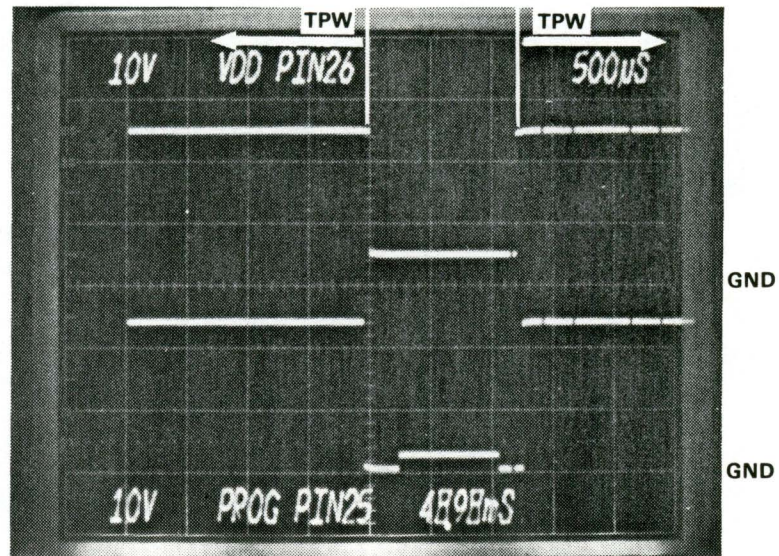
Before you calibrate the socket adapter, consult the calibration specifications in the Model 20B Instruction Manual to insure that your machine is in proper working condition. To calibrate your machine, follow the procedure outlined in Section 4 of the manual.

Table 1. Programming Applications

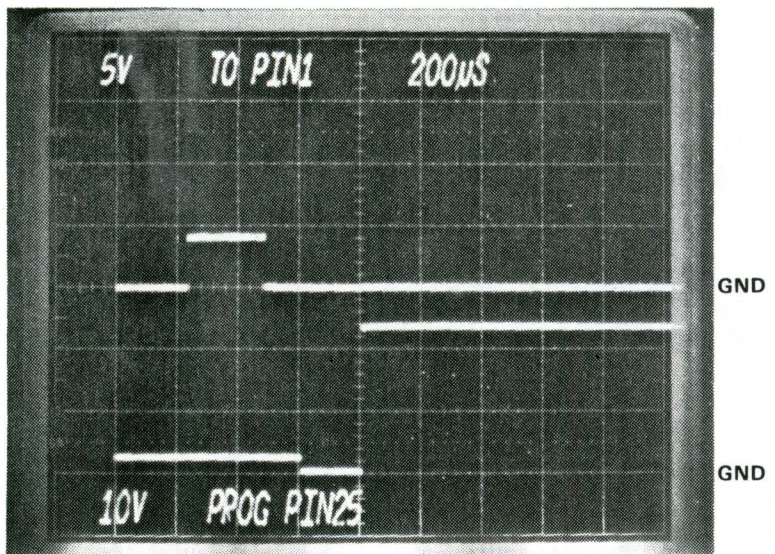
Manufacturer	Device Number
Intel	8741
	8748
	8748H
	8749H
	8755A



1



3



2

NOTES:

1. In photo 1 and 2, oscilloscope trigger point is negative on pin 4 of 40 pin socket adapter. Photo 3 uses delayed sweep.
2. Ground: pin 20 of 40-pin socket.
3. Time base and voltage are indicated on each photograph.
4. All delay times are 20 uS minimum
5. To observe TPW, turn time base down.

WAVEFORM VARIABLES

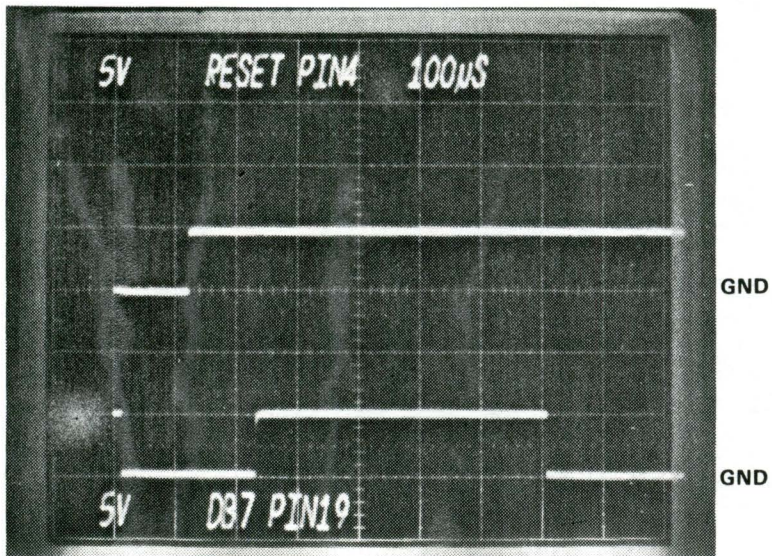
VARIABLE	PIN	MIN	NOM	MAX	UNIT	COMMENTS
VDDH	26	24	25	26	V	
VDDL	26	4.75	5.00	5.25	V	
VCC	40	4.75	5.00	5.25	V	
TPW	25	50	50	60	ms	Prog. pulse width
EA, PROG	7,25	21.5	23.0	24.5	V	

10-715-0095-001

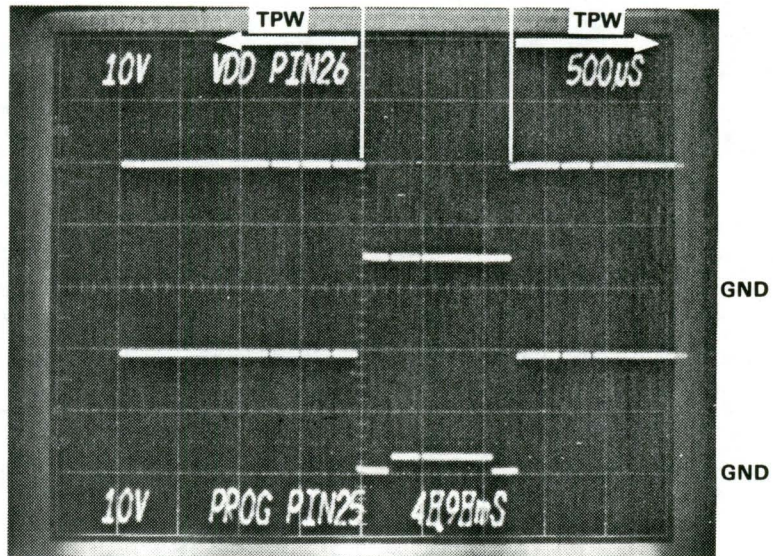
1-3

REVISIONS						DATA I/O ISSAQUAH, WA		
ZONE	LTR	DESCRIPTION	CM.	PE.	DATE			
	A	RELEASE	CE	RSS	7-30-81	TIMING DIAGRAM DEVICES 8741 (5659) and 8748 (5256)	<i>[Signature]</i>	
							CHECKED BY: <i>[Signature]</i>	
						SIZE	CODE IDENT. NO.	DRAWING NO.
						B	54193	33-715-0095-001
						SCALE		SHEET 1/3

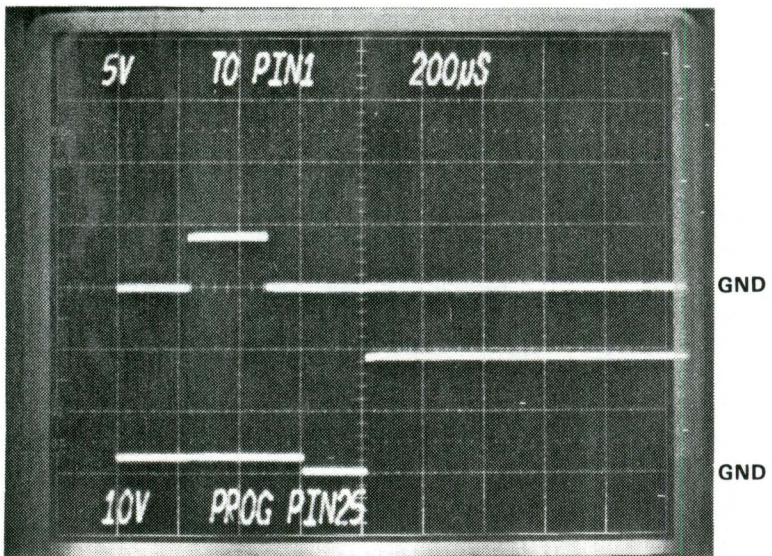




1



3



2

1-5
10-715-0095-001

NOTES:

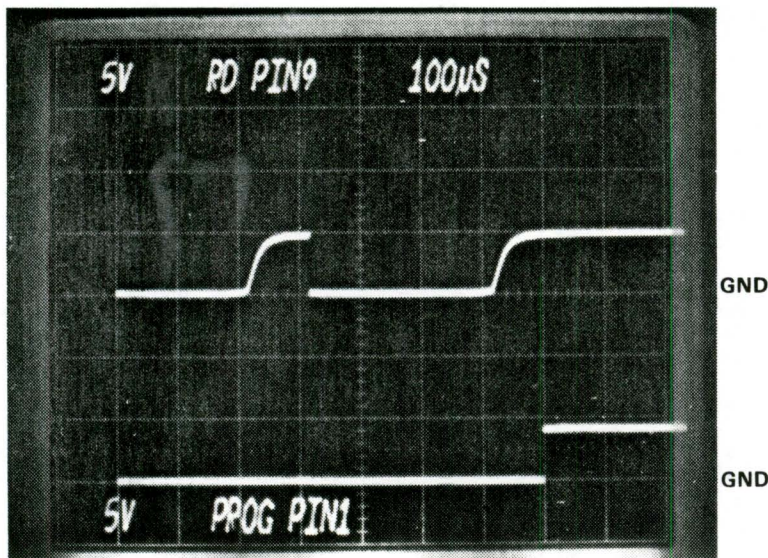
1. In photo 1 and 2, oscilloscope trigger point is negative on pin 4 of 40-pin socket adapter. Photo 3 uses delayed sweep.
2. Ground: pin 20 of 40-pin socket.
3. Time base and voltage are indicated on each photograph.
4. All delay times are 20 uS minimum.
5. To observe TPW, turn time base down.

WAVEFORM VARIABLES

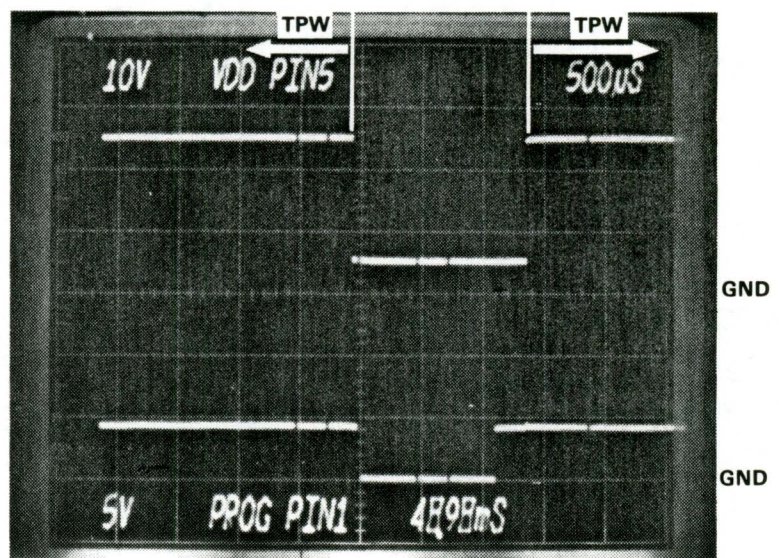
VARIABLE	PIN	MIN	NOM	MAX	UNIT	COMMENTS
VDDH	26	19.5	20.0	20.5	V	
VDDL	26	4.75	5.00	5.25	V	
VCC	40	4.75	5.00	5.25	V	
TPW	25	50	50	60	ms	Prog. pulse width
EA, PROG	7,25	17.5	18.0	18.5	V	

REVISIONS						DATA I/O ISSAQUAH, WA		
ZONE	LTR	DESCRIPTION	CM.	PE.	DATE			
	A	RELEASE	CE	RSS	7-30-81	TIMING DIAGRAM DEVICES 8748H (5057) and 8749H (5057)	<i>[Signature]</i>	
							CHECKED BY: <i>[Signature]</i>	
						SIZE	CODE IDENT. NO.	DRAWING NO.
						B	54193	33-715-0095-001
						SCALE		SHEET 2/3

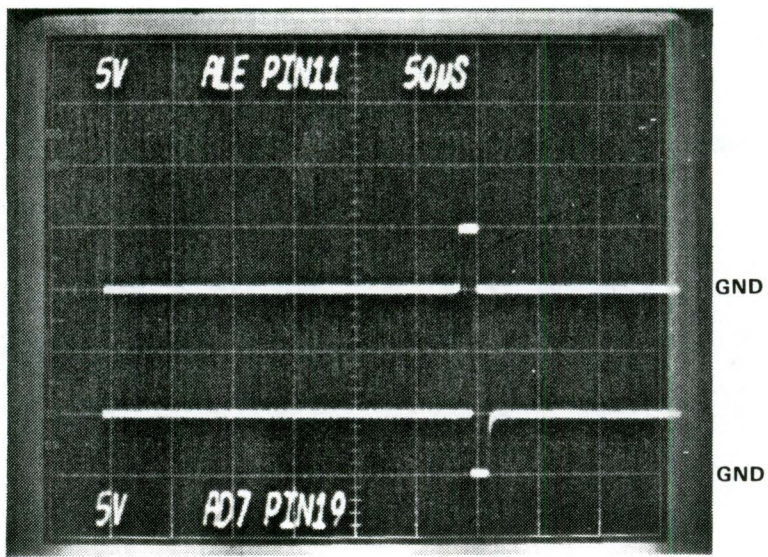




1



3



2

NOTES:

1. In photo 1 and 2, oscilloscope trigger point is negative on pin 4 of 40-pin socket adapter. Photo 3 uses delayed sweep.
2. Ground: pin 20 of 40-pin socket.
3. Time base and voltage are indicated on each photograph.
4. All delay times are 20 uS minimum.
5. To observe TPW, turn time base down.

WAVEFORM VARIABLES

VARIABLE	PIN	MIN	NOM	MAX	UNIT	COMMENTS
VDDH	5	24	25	26	V	
VDDL	5	4.75	5.00	5.25	V	
VCC	40	4.75	5.00	5.25	V	
TPW	1	45	50	55	ms	Prog. pulse width

10-715-0095-001

1-7

REVISIONS						<h1 style="margin: 0;">DATA I/O</h1> ISSAQUAH, WA		
ZONE	LTR	DESCRIPTION	CM.	PE.	DATE			
	A	RELEASE	<i>RF</i>	<i>RF</i>	9-30-81	TIMING DIAGRAM DEVICE 8755A (4755)	<i>KJ.</i>	
							CHECKED BY: <i>RF</i>	
						SIZE	CODE IDENT. NO.	DRAWING NO.
						B	54193	33-715-0095-001
						SCALE	SHEET 3/3	



Measurement Chart

PROGRAMMABLE DEVICE(S) 8741, 8748, 8748H, 8749H, 8755A

SOCKET ADAPTER 715-0095-001

DATE	REV	REVISION RECORD	DR	CK
9-30-81	A	Release	SC	RJS

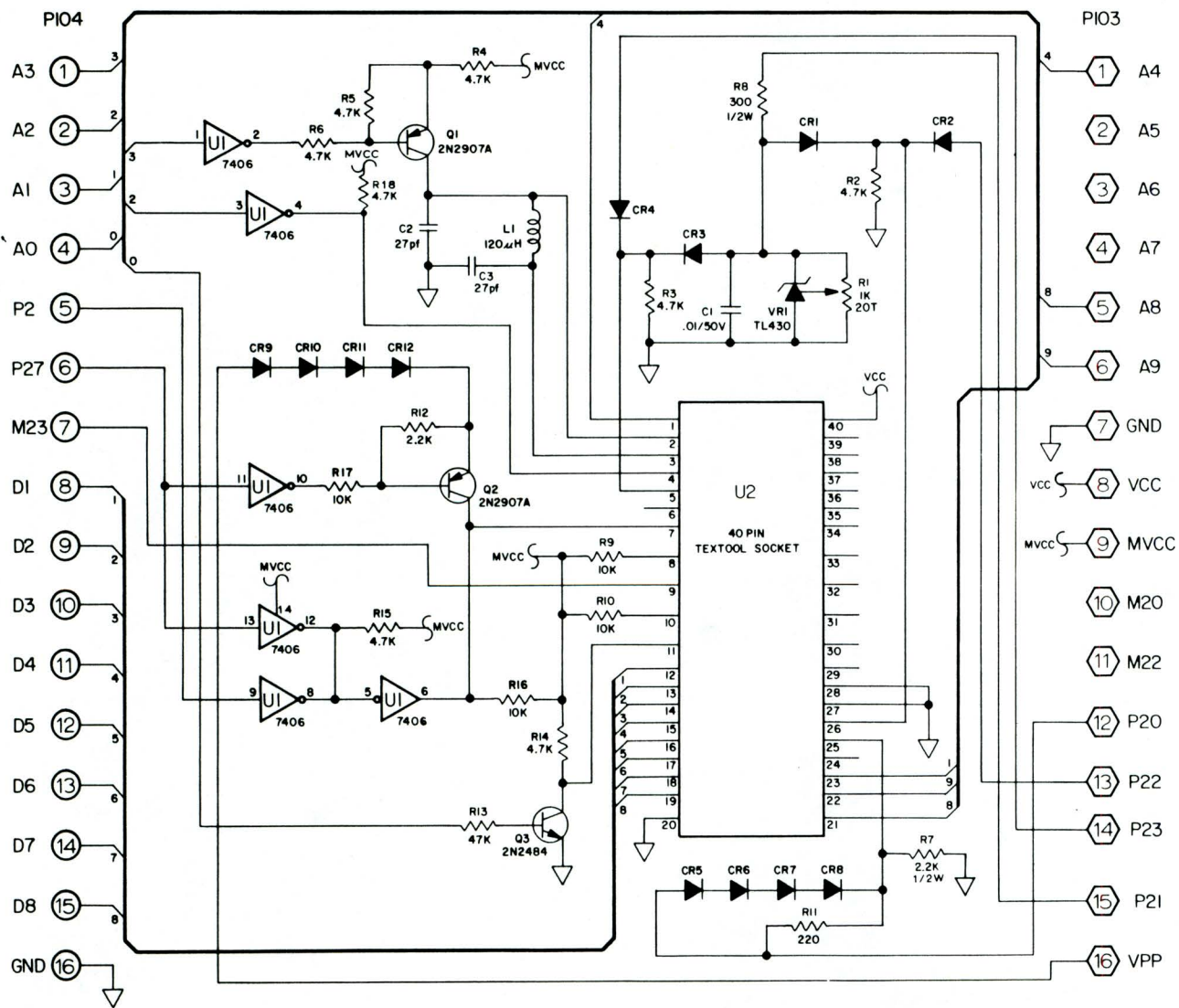
STEP	TEST NO	TEST DESCRIPTION	TEST LOCATION		VOLTAGES			ADJUSTMENT LOCATION	COMMENTS
					PINS	SOCKET	MIN		
1	1	Vref to +5 V	See comments column		4.95	5.00	5.05	R68	Test location is TP2 on controller. For performance check, omit this test
	2	All socket pins off	40-Pin S.A., ALL		-0.4	0.0	0.4	-	For steps with no adjustment locations, if voltage is out of tolerance, see Introduction to Section 4.
2	3	Vcc to +5 V	4,8,10,11,40	40-Pin Socket Adapter	4.75	5.00	5.25	-	
3	4	Vcc to 12 V		40-Pin Socket Adapter	11.4	12.0	12.6	-	
4	5	Vcc to +5 V		40-Pin Socket Adapter	4.75	5.00	5.25	-	
5	6	Vpp to +25 V	1	28-Pin Copy Socket	24.0	25.3	26.0	R103	Adjust R103 for copy socket. R103 is located on Controller board (702-0065).
6	7	None							
7	8	Pin 25 high	25	40-Pin Socket Adapter	2.00		5.25	-	
8	9	Pin 25 to +23 V	25	40-Pin Socket Adapter	22.3	23.3	24.3	-	
9	10	Pin 26 high	26	40-Pin Socket Adapter	2.6		4.0	-	
10	11	Pin 26 to +7 V	26	40-Pin Socket Adapter	4.0		12.0	-	
11	12	Pin 26 to +25 V	26	40-Pin Socket Adapter	24.0	25.4	26.5	-	
12	13	Pin 26 to \emptyset . V	26	40-Pin Socket Adapter	-0.4		0.4	-	
13	14	Pin 5 high	5	40-Pin Socket Adapter	2.40		5.25	-	
14	15	Pin 5 to +25 V	5	40-Pin Socket Adapter	24.0	25.4	26.5	-	
15	16	Pin 5 high	5	40-Pin Socket Adapter	0.0		4.0	-	
	17	Pin 26 high	26	40-Pin Socket Adapter	0.0		4.0	-	
16	18	Pin 5 to +5 V	5	40-Pin Socket Adapter	4.75	5.00	5.25	R1	R1 is on 715-0095-001 S.A.
	19	Pin 26 to +5 V	26	40-Pin Socket Adapter	4.75	5.00	5.25	-	

NOTES: Ground negative lead of DVM or Scope to Pin 20 of Socket Adapter

34-715-0095-001

DATA I/O

SHEET 1 OF 2



- NOTES: UNLESS OTHERWISE SPECIFIED
1. ALL RESISTORS ARE 1/4W AND IN OHMS, 5%.
 2. ALL CAPACITORS ARE IN MICROFARADS.
 3. ALL DIODES ARE IN4148.
 4. LAST REFERENCE DESIGNATOR USED:
U2, R18, C3, Q3, VR1, CR12, L1
 5. U1 PIN 7 PIN 14
GND +5V
 6. 715-0095-001 SHOWN.

U.S. and Canada Sales Offices and Representatives Direct Sales and Service Offices

ALASKA, HAWAII, OREGON, WASHINGTON

Data I/O Corporation
10525 Willows Road N.E.
C-46
Redmond, WA 98052
(206) 881-6444
Telex 320290
(Sales & Service)

NORTHERN CALIFORNIA

Data I/O Corporation
473 Sapena Court
Suite 4
Santa Clara, CA 95050
(408) 727-0641
Telex 352054
(Sales, Applications & Service)

SOUTHERN CALIFORNIA

Data I/O Corporation
14937 Ventura Blvd.
Suite 306
Sherman Oaks, CA 91403
(213) 501-3301
Telex 194701
(Sales)

Data I/O Corporation
2740 South Harbor Blvd.
Suite D
Santa Ana, CA 92704
(714) 979-3621
(Service)

EASTERN REGION ADMINISTRATIVE OFFICE

MAINE, MASSACHUSETTS, NEW HAMPSHIRE, RHODE ISLAND, VERMONT

Data I/O Corporation
Nashua Road
Route 101A
Amherst, NH 03031
(603) 889-8511 (Sales)
(603) 889-8513 (Applications & Service)
Telex 943431

NEW JERSEY, NEW YORK, LONG ISLAND, CONNECTICUT EXCLUDING UPSTATE NEW YORK

Data I/O Corporation
2171 Jericho Turnpike
Suite 230
Commack, NY 11725
(516) 499-0140 (Sales)
(516) 499-0335 (Service)
Telex 967846

MID ATLANTIC REGION ADMINISTRATIVE OFFICE

Data I/O Corporation
7720 Wisconsin Avenue
Suite 227
Bethesda, MD 20014
(301) 652-7240

CENTRAL REGION ADMINISTRATIVE OFFICE

Data I/O Corporation
3361 Successful Way
Dayton, OH 45414
(513) 236-6695
Telex 288315
(Sales, Applications & Service)

SOUTHERN REGION ADMINISTRATIVE OFFICE

Data I/O Corporation
1702 N. Collins Blvd.
Suite 110
Richardson, TX 75080
(214) 235-0044
(800) 527-0916 (Not Texas)
Telex 792474
(Sales & Applications)

Representatives

(Sales Only)

ARKANSAS, LOUISIANA, OKLAHOMA, TEXAS

USDATA
14241 Proton Road
Dallas, TX 75234
(214) 661-9633
Telex 910-860-5380

2400 Central Pkwy.
Suite M
Houston, TX 77092
(713) 681-0200

8701 Shoal Creek Blvd.
Bldg. 1, Suite 104
Austin, TX 78758
(512) 454-3579

9820 E. 41st Street
Blaine Building, Suite 115
Tulsa, OK 74145
(918) 622-8740

7310 Blanco Road
Suite 307
San Antonio, TX 78216
(512) 340-7891

MICHIGAN, EASTERN KENTUCKY, OHIO, WEST VIRGINIA, WEST PENNSYLVANIA

Electro Sales Associates
851 East 222nd Street
Cleveland, OH 44123
(216) 261-5440

22126 Ford Road
Dearborn Heights, MI 48127
(313) 561-0045

1635 Mardon Drive
Dayton, OH 45432
(513) 426-5551

3740 Mount Royal Blvd.
Allison Park, PA 15101
(412) 487-3801

UPSTATE NEW YORK

Martin P. Andrews
7000 East Genesee Street
P.O. Box 443
Fayetteville, NY 13066
(315) 637-5291

KANSAS, MISSOURI, NEBRASKA, SOUTHERN ILLINOIS

Midtec Associates, Inc.
7702 Mize Road
DeSoto, KS 66018
(913) 441-6565

110 South Highway 67
Florissant, MO 63033
(314) 837-5200

ALABAMA, FLORIDA, GEORGIA, MISSISSIPPI, NORTH CAROLINA, SOUTH CAROLINA TENNESSEE

Pen Tech Associates
1398 Semoran Blvd.
Suite 106
Casselberry, FL 32707
(305) 645-3444

201 S.E. 15th Terrace
Suite K
Deerfield Beach, FL 33441
(305) 421-4989

Cherokee Center
Suite 21
627 Cherokee Street
Marietta, GA 30060
(404) 424-1931

Holiday Office Center
3322 Memorial Pkwy. S.W.
Huntsville, AL 35801
(205) 881-9298

1202 Eastchester Drive
High Point, NC 27260
(919) 883-9125

INDIANA, IOWA, WESTERN KENTUCKY, MINNESOTA, NORTHERN ILLINOIS, NORTH DAKOTA, SOUTH DAKOTA, WISCONSIN

Torkelson Associates
4940 Viking Drive
Minneapolis, MN 55435
(612) 835-2414

550 West Frontage Rd., RM 3052
Northfield IL 60093
(312) 446-9085

2346 S. Lynhurst
Room B101
Indianapolis, IN 46241
(317) 244-7867

2840 N. Brookfield Road
Brookfield, WI 53005
(414) 784-7736

ARIZONA, COLORADO, IDAHO, MONTANA, NEW MEXICO, NEVADA, UTAH, WYOMING

Zeus Electronics, Inc.
1428 E. Pierson Street
Phoenix, AZ 85014
(602) 263-6022

310 Val Verde, S.E.
Albuquerque, NM 87108
1-800-525-4512
(505) 842-6633

3333 Quebec Street
Suite 2950
Denver, CO 80207
(303) 321-4246

1849 W. North Temple
Suite B105
Salt Lake City, UT 84116
(801) 534-0500

SOUTHERN NEW JERSEY, DELAWARE, MARYLAND, EASTERN PENNSYLVANIA, VIRGINIA, WASHINGTON D.C.

Scientific Representatives, Inc.
496 North Kings Highway
Cherry Hill, NJ 08034
(609) 482-0059

9512A Lee Highway
Fairfax, VA 22031
(703) 385-0600

CONNECTICUT, RHODE ISLAND, WESTERN MASSACHUSETTES

Pat Jenks Associates
522 Washington Avenue
North Haven, CT 06472
(203) 239-6201

CANADA

Alan Crawford Associates, Ltd.
6503 Northam Drive
Mississauga, Ontario L4V 1J2
(416) 678-1500
Telex 06 968769

881 Lady Ellen Place
Ottawa, Ontario K1Z 5L3
(613) 722-7682
Telex 053 3600

7018 Cote De Liesse
St. Laurent, P.Q. H4T 1E7
(514) 731-8564
Telex 05-824944

1935-30th Avenue N.E.
Calgary, Alberta T2E 6Z5
(403) 230-1341
Telex 03-821186

3795 William Street
Burnaby, B.C. V5C 3H3
(604) 294-1326
Telex 04 54247

192 Joseph Zatzman Drive
Dartmouth, Nova Scotia B3B 1N4
(902) 463-9360
Telex 019 31604

15043A 118th Avenue
Edmonton, Alberta T5V 1H9
(403) 451-4893

International Sales Offices and Representatives

Europe

Data I/O Europe
Vondelstraat 50-52
1054 GE Amsterdam, Netherlands
(020) 186855-58
Telex 16616 DATIO NL

AUSTRIA

Ing. Ernst Steiner
Hummelgasse 14
A-1130 Wien
43 222827474
Telex 135026 ES A

BELGIUM

Simac Electronics
Rue du Progres, 52
BOITE 3
1000 Bruxelles
(2)2192451-3
Telex 23662 SIMEIP

DENMARK

ITT Komponent A/S
Fabriksparken 31
DK-2600 Glostrup
(02) 451822
Telex 33355 ITT KOM DK

EASTERN EUROPE

Amtest Associates, Ltd.
Osprey House
63 Station Road
Addlestone, Surrey
KT15 2BH England
(0932)52121
Telex 928855 AMTEST

FINLAND

Havulinna-Instrumentarium Oy
Makelankatu 84
00610 Helsinki 61
358 0 799711
Telex 124426 HAVUL SF

FRANCE

MB Electronique
Rue Fourny
ZAC de BUC
B.P. N°31
78530, BUC, France
(3) 956-8131
Telex 695414 MB695414F

ISRAEL

R.D.T. Electronics Engineering
46 Sokolov Street
P.O. Box 75
Ramat Hasharon
Israel
(3)483211
Telex 32143 RADAT IL

ITALY

Sistrel SPA
Via Giuseppe Armellini 39
00143 Roma,
(6)5915551
Telex 680356 SISTRL I

Sistrel SPA
Via P. da Volpedo 59
20092 Cinisello Balsamo (Mi)
(2)6120129 or 6181893
Telex 334643 SISTRL I

NETHERLANDS

Simac Electronics
Veenstraat 20
5503HR Veldhoven
The Netherlands
040-533725
Telex 51037 SIMAC NL

NORWAY

Teleinstrument A/S
Postboks 134
1371 Asker
(2)789460
Telex 19396 PROCO N

PORTUGAL

Decada Equipamentos De Electronica, IDA
Rua Pedro Nunes 47-C
P.O. Box 1128
Lisboa
Telex 18469 NONIO
351-19-574984

SPAIN

Instrumatic
Alameda Principal, 26
Apartado 151
Malaga
(52) 213199/213898
Telex 77131 HAPN E

Instrumatic
Juan Hurtado de Mendoza 9
Madrid-16
2502577
250-72-78
Telex 77131 HAPN E

SWEDEN

Macrotek AB
Vallingbyvagen 212, Box 43
S-162 11 Vallingby
(08) 87 94 90
Telex 12543 MATEK S

SWITZERLAND

Instrumatic SA
5-7, rue du Clos
CH-1207 Geneve
(022) 36.08.30
Telex 28667 FLUJA CH

Instrumatic SA
Weingartenstrasse 9
8803 Ruschlikon
(01) 724-1410
Telex 56605 INST CH

UNITED KINGDOM

Microsystem Services
11 Duke Street
High Wycombe, Bucks
HP13 6EE, England
(494) 41661
Telex 837187 MICSYS G

International

Data I/O International
10525 Willows Road N.E.
C-46
Redmond, WA 98052
(206) 881-6444
Telex 320290

AUSTRALIA

CORPORATE OFFICE

Warburton O'Donnell Ltd.
372 Eastern Valley Road
P.O. Box 182
Chatswood, N.S.W., Australia 2067
4073261
Telex Warfran AA21299

SOUTH AUSTRALIA

ADELAIDE, AUSTRALIA

Warburton Franki (Adelaide) Pty. Ltd.
322 Grange Road
Kidman Park,
South Australia 5025 Australia
3567333
Telex Warfran AA82579

BRISBANE, QUEENSLAND

Warburton Franki (Brisbane) Pty. Ltd.
13 Chester Street
Fortitude Valley,
Queensland 4006 Australia
527255
Telex Warfran AA41052

MELBOURNE, VICTORIA

Warburton Franki Industries (Melbourne) Pty. Ltd.
220 Park Street
South Melbourne,
Victoria 3205 Australia
699 4999
Telex Warfran AA31370

SYDNEY, NEW SOUTH WALES

Warburton Franki (Sydney) Pty. Ltd.
199 Parramatta Road
Auburn, N.S.W. 2144 Australia
648 1711
Telex Warfran AA22265

PERTH, WESTERN AUSTRALIA

Warburton Franki (Perth)
98-102 Belgravia Street
Belmont, 6104
Western Australia
65 7000
Telex Warfran AA92908

BRAZIL

Cosele
Instrumentos Electronicos Ltda.
Rue da Consolacao, 867
3.ª And. - Conj. 32
01301 - Sao Paulo - SP
Brazil
255-1733 or 256-7421 or 231-5548
Telex (011) 30869 CSEL-BR

HONG KONG

Cummings Engineering Co., Ltd.
90 Sung Wong Toi Road, I/F,
To Kwa Wan, Kowloon,
Hong Kong
3-636227
Telex 74015 CUMMH HX

INDIA

Indotek
21 Union Park
Chembur, Bombay-400 071
India
521310
Cable Telemetry, Bombay-71

JAPAN

Data I/O Japan Company, Ltd.
Sankei Building
1-8, Sarugaku-cho 2-Chome
Chiyoda-Ku, Tokyo 101
Japan
(03) 295-2656
Telex 2225391 DATAIO J

KOREA

Leewood International, Inc.
Sungwan Bldg., Room 203
3-1, Bukchang-Dong,
Chung-ku, Seoul
Korea
285927, 778-5831
Telex K25582

MALAYSIA

Cadco Technical Services
67A, Jalan Perisai
Taman Sri Tebrau
Johore Bahru, Malaysia
Cable - CADCOKIT - JOHOR BAHRU

MEXICO

Christensen, S.A.
Guillermo Prieto 76-304
Col. San Rafael
Delegacion Cuahutemoc
06470-Mexico, D.F.
546-25-95
546-29-55
Telex 017-75612 Mycome.

NEW ZEALAND

Wellington-New Zealand:
Warburton Franki, Ltd.
42-43 Oxford Terrace
Lower Hutt, New Zealand
69 8272
Telex Warfran NZ 3824

Warburton Franki, Ltd.
P.O. Box 9301; New Market
142 Broadway
Auckland, New Zealand
504-458
Telex Warfran NZ 3824

PHILIPPINES

Cummings Engineering Co., Ltd.
90 Sung Wong Toi Road, I/F,
To Kwa Wan, Kowloon,
Hong Kong
3-636227
Telex 74015 CUMMH HX

SINGAPORE

General Engineers Associates PTE., Ltd.
Units 1003 to 1008, Block 3
PSA Multi-Storey Complex
Pasi Panjang Road
Singapore 0511
2729412
Telex RS 37162 Geasin

International continued

SOUTH AFRICA

Electronic Building Elements (PTY) Ltd.
P.O. Box 4609
Pine Square, 18th Street
Hazelwood
Pretoria, South Africa 0001
46-9221/7
Telex 3 0181 SA
Telegrams Elbitem

SOUTH & CENTRAL AMERICA

Dexter Computer Products, Inc.
3465 Torrance Blvd.
Suite N
Torrance, CA 90503
213-542-7333
Telex 182360 DXTR TRNC

TAIWAN

Everdata International Corp.
11th Fl., Walsin Bldg.
#219, Chung-Hsiao E. Road, Sec. 4
P.O. Box 53-479
Taipei, Taiwan R.O.C.
7529911
Telex 20194 EVERDATA

TASMANIA

Associated Agencies Pty., Ltd.
P.O. Box 252
43 Albert Road
Moonah, Tasmania 7009
23 1841
Telex ASSAG AA58206

THAILAND

Dynamic Supply Engineering R.O.P.
No. 56 Ekamai, Sukhumvit 63
Bangkok-11, Thailand
Tel. - 3914434, 39228532
Telex 82455 DYNASUP TH

Reader Comments

The manual's completeness, accuracy, organization, usability, and reliability: _____

Did you find errors in this manual? _____

How can this manual be improved? _____

Additional comments: _____

Name _____ Title: _____

Department _____ M/S _____

Company _____

Address _____

City _____ State _____ Zip _____ Phone _____

Manual or Part No. _____

O299/DEC 81

Warranty/Registration

Please return this card to Data I/O within five days

Did the packaging of this equipment exhibit any outward signs of physical damage? YES NO

Did this equipment arrive intact, without loose parts or cable damage? YES NO

Did the equipment operate on power-up? YES NO

Did you attain adequate system performance? YES NO

Were any electrical adjustments required? YES NO

If you required assistance, was a local Data I/O representative contacted? YES NO

Comments: _____

Name _____ Title _____

Department _____ M/S _____

Company _____

Address _____

City _____ State _____ Zip _____ Phone () _____

Model or Description _____ Serial or Part No. _____

Date Received _____

Warranty 90 Days

Data I/O warrants that all equipment sold pursuant to any resultant agreement shall be free from defects in material or workmanship at the time of delivery. Such warranty shall extend for 90 days. Buyer must provide notice to Data I/O within this prescribed warranty period of any defect; if the defect is not the result of improper usage, service, maintenance or installation and equipment has not been otherwise damaged or modified after delivery, Data I/O shall either replace or repair the defective part or parts of equipment or replace the equipment or refund the purchase price at Data I/O's option after return of such equipment by buyer to Data I/O. Shipment to and from Data I/O's facility shall be borne on account of buyer.

(a) Consequential Damages — Data I/O shall not be liable for any incidental or consequential damages incurred as a result of any defect in any equipment sold hereunder and Data I/O's liability is specifically limited to its obligation described herein to repair or replace a defective part or parts covered by this warranty.

(b) Exclusive Warranty — The warranty set forth herein is the only warranty, oral or written made by Data I/O and is in lieu of and replaces all other warranties, expressed or implied, including the WARRANTY OF MERCHANTABILITY AND THE WARRANTY OF FITNESS FOR A PARTICULAR PURPOSE.



NO POSTAGE
NECESSARY
IF MAILED
IN THE
UNITED STATES

BUSINESS REPLY MAIL

FIRST CLASS PERMIT NO. 41 REDMOND, WA 98052

Postage will be paid by:

DATA I/O

Reader Comments
Applications Manager
10525 Willows Road N.E.
C-46
Redmond, WA 98052



NO POSTAGE
NECESSARY
IF MAILED
IN THE
UNITED STATES

BUSINESS REPLY MAIL

FIRST CLASS PERMIT NO. 41 REDMOND, WA 98052

Postage will be paid by:

DATA I/O

Warranty/Registration
Service Manager
10525 Willows Road N.E.
C-46
Redmond, WA 98052

